

AN6561, AN6561L

Dual Operational Amplifiers

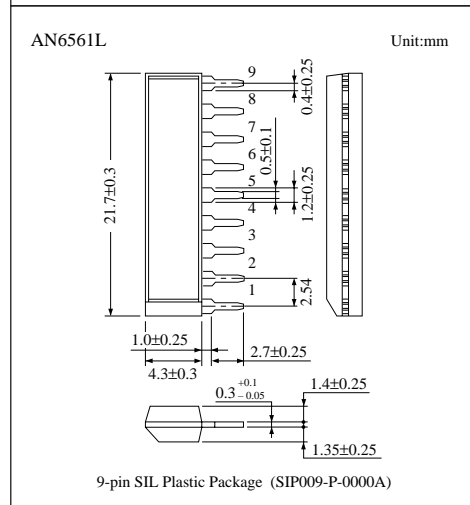
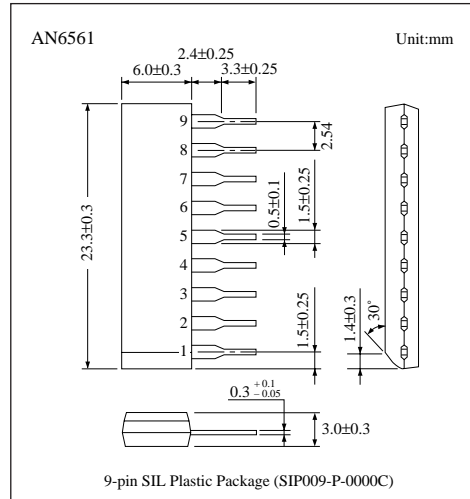
■ Overview

The AN6561 and AN6561L are dual operational amplifiers with two phase compensation circuits built in, have a wide range of operating supply voltage, and can operate on a single power supply.

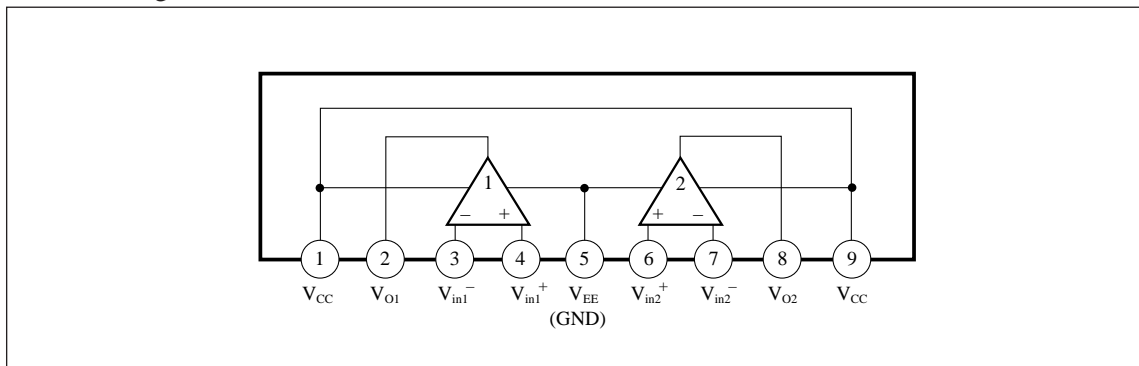
They have electrical characteristics equivalent to those of conventional operational amplifiers, and are low-powered and suitable for application to various circuits.

■ Features

- Built-in phase compensation circuits
- Wide range of input voltage: $0V$ to $V_{CC} - 1.5V$
- Wide range of operating power supply
- Single power supply: 3 to $30V$
- Dual power supply: ± 1.5 to $15V$



■ Block Diagram



■ Absolute Maximum Rating (Ta=25°C)

Parameter	Symbol	Rating	Unit
Supply voltage	V _{CC}	32	V
Differential input voltage	V _{ID}	32	V
Common-mode input voltage	V _{ICM}	- 0.3 to +32	V
Output voltage	V _O	24	V
Power dissipation	P _D	350	mW
Operating ambient temperature	T _{opr}	-20 to +75	°C
Storage temperature	T _{stg}	-55 to +150	°C

■ Recommended Operating Range (Ta=25°C)

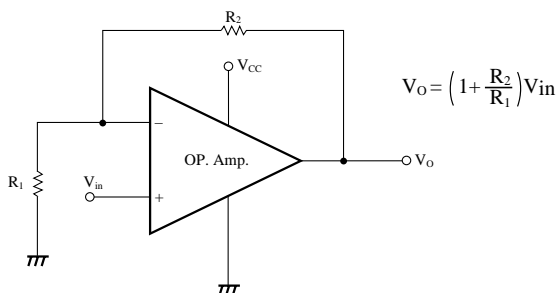
Parameter	Symbol	Range
Operating supply voltage range	V _{CC}	Single power supply 3V to 30V
		Dual power supply ±1.5V to ±15V

■ Electrical Characteristics (V_{CC}=5V, Ta=25°C)

Parameter	Symbol	Condition	min	typ	max	Unit
Input offset voltage	V _{I(offset)}	R _S =50Ω	—	2	7	mV
Input bias current	I _{Bias}		—	—	250	nA
Input offset current	I _{IO}		—	—	50	nA
Common-mode input voltage width	V _{CM}		0	—	V _{CC} -1.5	V
Supply current	I _{CC}	R _L =∞	—	0.6	1.2	mA
Voltage gain	G _V	R _L ≥2kΩ	—	100	—	dB
Maximum output voltage	V _{O(max.)}	R _L ≥2kΩ	V _{CC} -1.5	—	—	V
Common-mode rejection ratio	CMR		65	85	—	dB
Supply voltage rejection ratio	SVR		65	100	—	dB
Channel separation	CS	f=1kHz to 20kHz	—	120	—	dB
Output source current	I _{O(source)}	V _{in+} =1V, V _{in-} =0V	20	40	—	mA
Output sink current	I _{SINK}	V _{in+} =0V, V _{in-} =-1V	10	20	—	mA

■ Application Circuit

Non-inverting amplifier



■ Pins Descriptions

Pin No.	Pin name
1	Positive supply voltage
2	Ch.1 output pin
3	Ch.1 inverting input pin
4	Ch.1 non-inverting input pin
5	Negative supply voltage (GND)
6	Ch.2 non-inverting input pin
7	Ch.2 inverting input pin
8	Ch.2 output pin
9	Positive supply voltage

■ Characteristics Curve

