



全漢企業股份有限公司

SPI Electronic Co., Ltd.

台灣桃園市建國東路 22 號
TEL : 886-3-375-9888
<http://www.fsp-group.com.tw>

No. 22, Jianguo E. Rd., Taoyuan City,
Taiwan, R.O.C.
FAX : 886-3-375-6966
Email:sales@mail.fsp-group.com.tw

MECHANICAL DRAWING



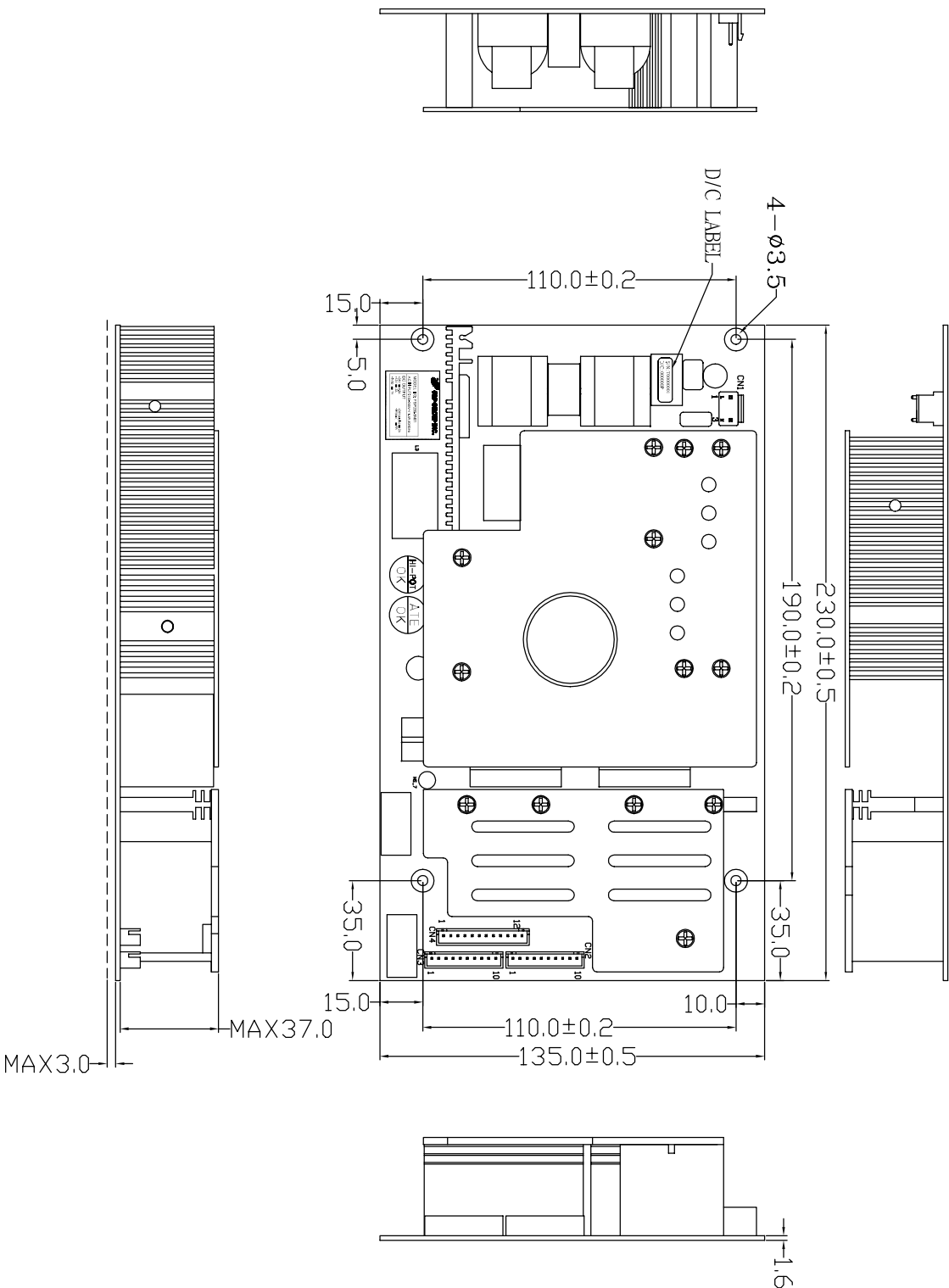
OAD05020905

90C2300100

Released Date:2005/8/2-16:2:41

REF. ID.	PIN NO.	SIGNAL.	CONNECTOR TYPE
CN1	1	L	JWT A3963WV2 -3P or EQUIV.
	2	N/A	
	3	N	
CN2	1	+24V	JWT A2501WV2 -10P or EQUIV.
	2	+24V	
	3	+24V	
	4	+24V	
	5	+24V	
	6	GND	
	7	GND	
	8	GND	
	9	GND	
	10	GND	
CN3	1	GND	JWT A2501WV2 -10P or EQUIV.
	2	+5Vsb	
	3	+5Vsb	
	4	PS-ON	
	5	+12V	
	6	+12V	
	7	GND	
	8	GND	
	9	GND	
	10	GND	
CN4	7	+24V(Audio)	JWT A2501WV2 -12P or EQUIV.
	8	+24V(Audio)	
	9	+5V	
	10	+5V	
	11	GND	
	12	GND	

UNIT:mm



P/N.: 90CC2300100

MODEL NO. :	FSP230-5M01	TITLE:	DIMENSION	SHEET:	1 OF 1	REV:	03
R&D		PE		DRAWN		DATE	AUG.02.2005
INTERIOR COUNTERSIGN:							

Mechanical Drawing(外觀/機構圖)表單編號7000P-0111