



APPLICATION

This line Output Power Transformer series has been developed to provide the required scanning amplitude and EHT for the full range of 110° 4:3 and 16:9 Colour Picture Tubes and to mains insulate the CTV circuit.

It operates at line frequencies of 15.6KHz (standard) or 31.2KHz (HDTV).

The external connections are made by 9 Pins which are directly solderable to the PCB.

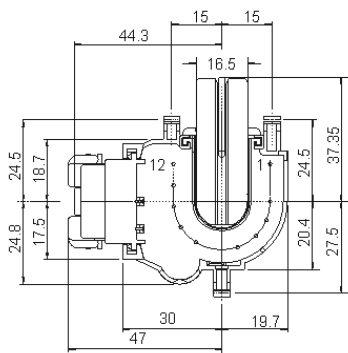
The pins 1 to 6 are for the mains connected side while the pins 8 to 12 are for the output voltages mains insulated. The overwind ground must be connected to Pin 10.

The magnetic core may be connected to ground by means of a special spring.

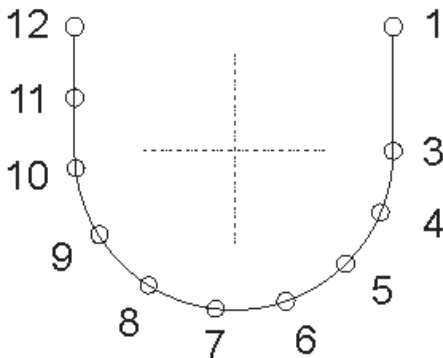
The double focus potentiometer (DAF) is internally grounded. Available with integrated bleeder resistor.

The construction meets the requirements for reinforced insulation according to EN 60065 Standard.

MECHANICAL DIMENSIONS (mm)



FOOTPRINT (copper side)



PACKAGING (single box)



WxLxH (mm) 88x74x156

SCHEMATIC DIAGRAM

