



FAN7387

Self-Oscillated, High-Voltage Gate Driver

Features

- Internal Clock Using RCT
- External Sync Function Using RCT
- Dead Time Control Using Resistor
- Shut Down (Disable Mode)
- Internal Shunt Regulator
- UVLO Function, High and Low Side

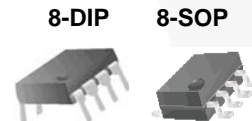
Applications

- Half-Bridge Inverter
- SMPS
- Ballast Solution for High-Intensity Discharge (HID) Lamp
- Ballast for Fluorescent Lamp

Description

The FAN7387 is a simple control IC for common half-bridge inverters, SMPS, and ballast for fluorescent and HID lamps. The FAN7387 has an oscillating circuit using an external resistor and capacitor.

The frequency variation is very stable across a wide temperature range. The FAN7387 has an external pin for dead-time control and shutdown. Using this resistor, the designer can choose the optimum dead time to reduce power loss on switching devices, such as transistors and MOSFETs.



Ordering Information

| Part Number | Package | Operating Temperature | Packing Method |
|--------------------------|---------|-----------------------|----------------|
| FAN7387MX ⁽¹⁾ | 8-SOP | -40 to +125°C | Tape & Reel |

Note:

1. These device passed wave soldering test by JESD22A-111.

Typical Applications Diagrams

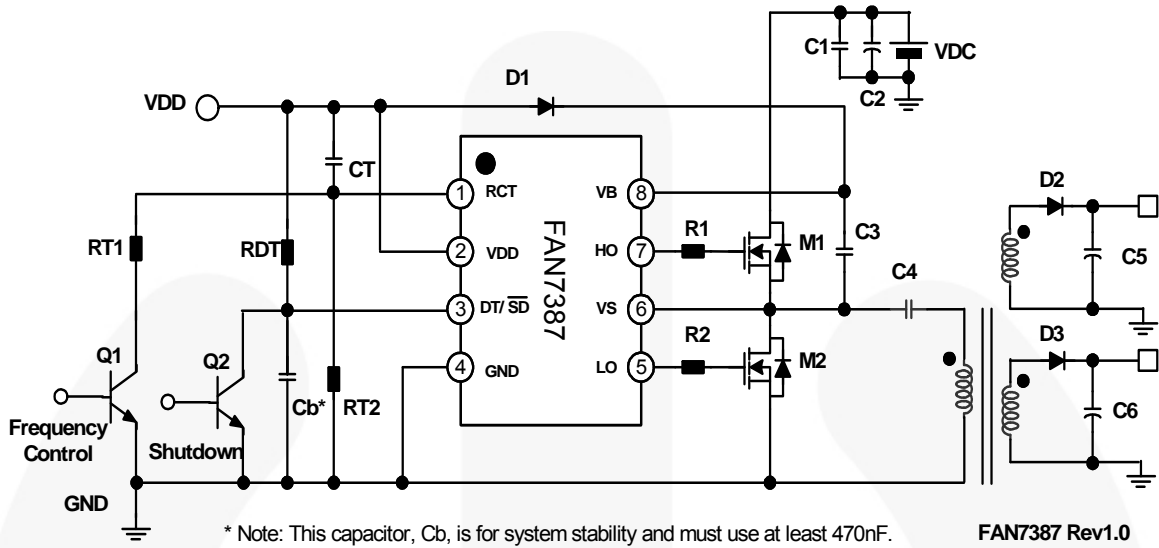


Figure 1. Typical Application Circuit for SMPS (Self Oscillation Method)

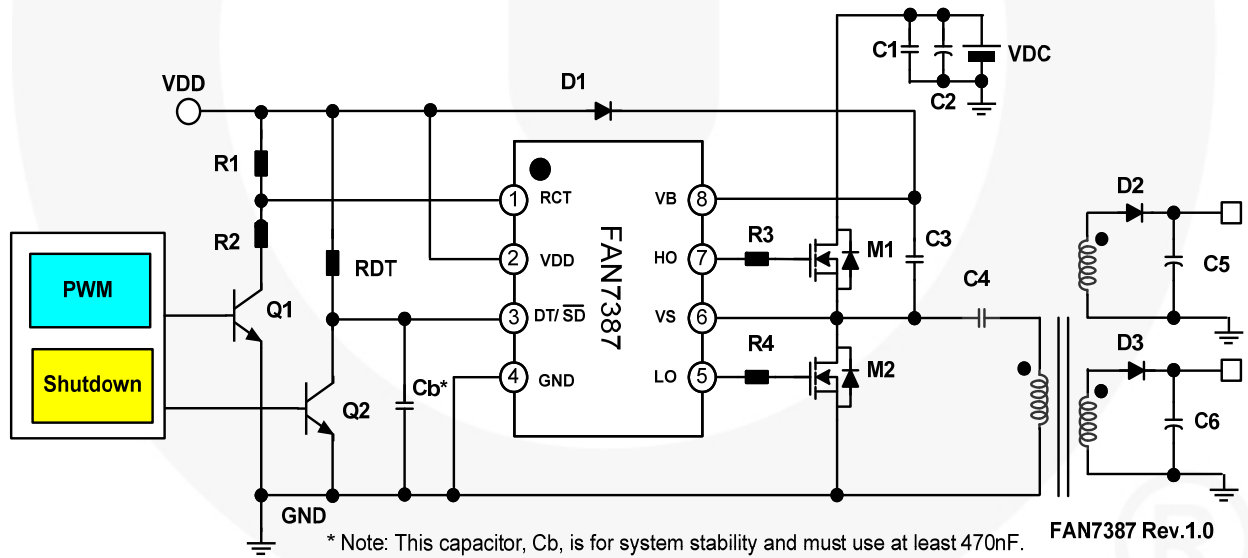
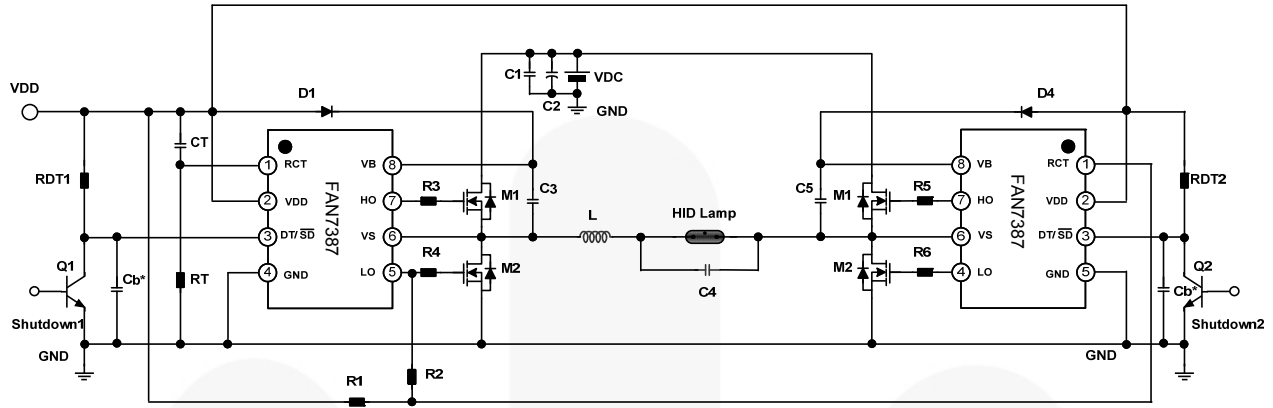


Figure 2. Typical Application Circuit for SMPS by Using External Signal

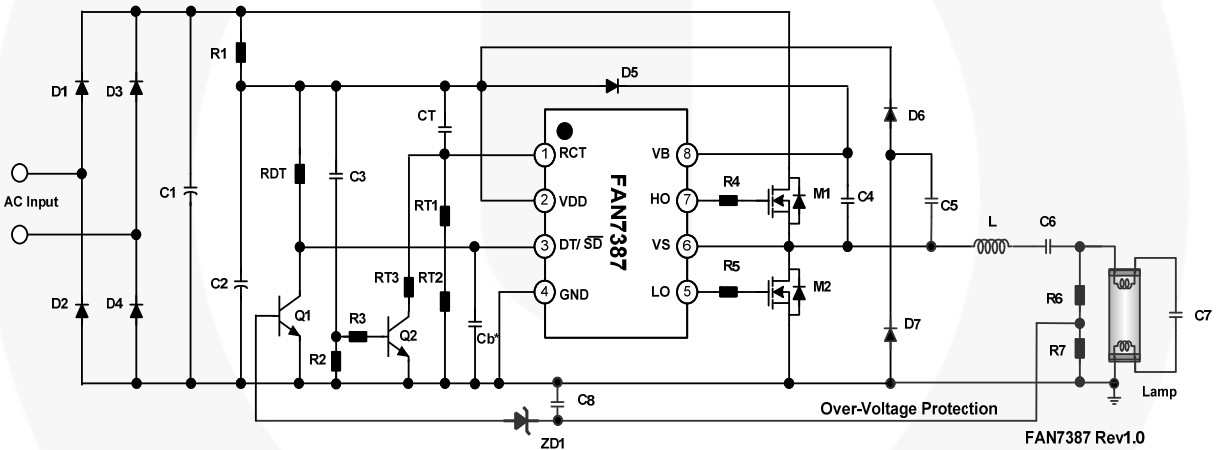
Typical Application Diagrams (Continued)



* Note: This capacitor, Cb, is for system stability and must use at least 470nF.

FAN7387 Rev.1.0

Figure 3. Typical Application Circuit for Full-Bridge Converter



FAN7387 Rev.1.0

Figure 4. Typical Application Circuit for Fluorescent Lamp Ballast

Internal Block Diagram

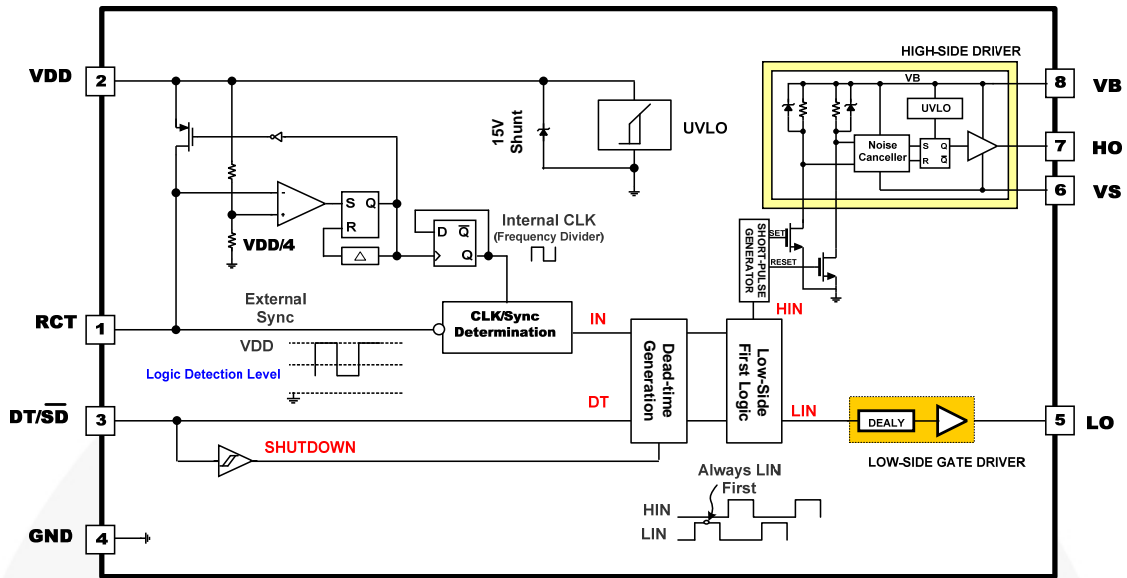


Figure 5. Functional Block Diagram

Pin Configuration

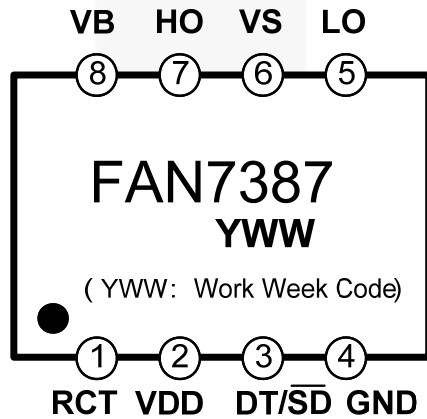


Figure 6. Pin Configurations (Top View)

Pin Definitions

| Pin # | Name | Description |
|-------|-------|--|
| 1 | RCT | Oscillator frequency set resistor and capacitor. |
| 2 | VDD | Supply Voltage. |
| 3 | DT/SD | Dead-time control and shutdown (active LOW). |
| 4 | GND | Signal Ground. |
| 5 | LO | Low-Side Output. |
| 6 | VS | High-Side floating supply return. |
| 7 | HO | High-Side output. |
| 8 | VB | High-Side floating supply. |

Absolute Maximum Ratings

Stresses exceeding the absolute maximum ratings may damage the device. The device may not function or be operable above the recommended operating conditions and stressing the parts to these levels is not recommended. In addition, extended exposure to stresses above the recommended operating conditions may affect device reliability. The absolute maximum ratings are stress ratings only. $T_A=25^{\circ}\text{C}$ unless otherwise specified.

| Symbol | Parameter | Min. | Typ. | Max. | Unit |
|---------------|---------------------------------------|------|-------|----------|-----------------------------|
| V_B | High-Side Floating Supply Voltage | -0.3 | | 625.0 | V |
| V_S | High-Side Offset Voltage | -0.3 | | 600.0 | V |
| V_{RCT} | RCT Pins Input Voltage | | | V_{CL} | V |
| I_{CL} | Clamping current level ⁽²⁾ | | | 25 | mA |
| dV_S/dt | Allowable Offset Voltage Slew Rate | | 50 | | V/ns |
| T_A | Operating Temperature Range | -40 | | +125 | $^{\circ}\text{C}$ |
| T_{STG} | Storage Temperature Range | -65 | | +150 | $^{\circ}\text{C}$ |
| P_D | Power Dissipation | | 0.625 | | W |
| Θ_{JA} | Thermal Resistance (Junction-to-Air) | | 200 | | $^{\circ}\text{C}/\text{W}$ |

Note:

- Do not supply a low-impedance voltage source to the internal clamping Zener diode between the GND and the VDD pin of this device.

Recommended Operating Ratings

The Recommended Operating Conditions table defines the conditions for actual device operation. Recommended operating conditions are specified to ensure optimal performance to the datasheet specifications. Fairchild does not recommend exceeding them or designing to absolute maximum ratings.

| Symbol | Parameter | Min. | Max. | Unit. |
|----------|-----------------------------------|------------------|------------------|--------------------|
| V_B | High-Side Floating Supply Voltage | V_S+11 | V_S+14 | V |
| V_S | High-Side Offset Voltage | $6-V_{DD}$ | 600 | V |
| V_{DD} | Low-Side Supply Voltage | 11 | 14 | V |
| V_{HO} | High-Side (HO) Output Voltage | GND | V_{DD} | V |
| V_{LO} | Low-Side (LO) Output Voltage | GND | V_{DD} | V |
| V_{IH} | Logic "1" Input Voltage of RCT | $(3/4 V_{DD})+1$ | | V |
| V_{IL} | Logic "0" Input Voltage of RCT | | $(3/5 V_{DD})-1$ | V |
| R_T | Timing Resistor Value of RCT | 2 | | k Ω |
| C_T | Timing Capacitor Value of RCT | 100 | | pF |
| T_A | Ambient Temperature | -40 | +125 | $^{\circ}\text{C}$ |

Electrical Characteristics

V_{BIAS} (V_{DD} , $V_B - V_S$)=14.0 V, C_L =1 nF, R_T =50 k Ω and C_T =330 pF and T_A =25°C, unless otherwise specified.

| Symbol | Parameter | Conditions | Min. | Typ. | Max. | Unit |
|--|---|---------------------------------------|------|--------------|--------------|---------|
| Low-Side Supply Characteristics (V_{DD}) | | | | | | |
| V_{DDUV+} | V_{DD} Supply Under-Voltage Positive-Going Threshold | V_{DD} Increasing | 9.50 | 11.00 | 12.50 | V |
| V_{DDUV-} | V_{DD} Supply Under-Voltage Negative-Going Threshold | V_{DD} Decreasing | 7.5 | 9.0 | 10.5 | V |
| V_{DDUVH} | V_{DD} Supply Under-Voltage Lockout Hysteresis | | | 2 | | V |
| V_{CL} | Supply Camping Voltage | $I_{DD}=10$ mA | 14.8 | 15.4 | | V |
| I_{QDD} | Low-Side Quiescent Supply Current | $R_{DT}=100$ k Ω | | 220 | 500 | μ A |
| I_{ST} | Startup Supply Current | $V_{DD}=9$ V | | 50 | 130 | μ A |
| I_{LK} | Offset Supply Leakage Current | $V_B=V_S=600$ V | | | 10 | μ A |
| I_{PDD} | Low-Side Dynamic Operating Supply Current | | | 0.8 | | mA |
| High-Side Supply Characteristics (V_B-V_S) | | | | | | |
| V_{BSUV+} | V_{BS} Supply Under-Voltage Negative-Going Threshold | V_B-V_S Increasing | 7.7 | 9.2 | 10.7 | V |
| V_{BSUV-} | V_{BS} Supply Under-Voltage Negative-Going Threshold | V_B-V_S Decreasing | 7.1 | 8.6 | 10.1 | V |
| V_{BSUVH} | V_{BS} Supply Under-Voltage Lockout Hysteresis | | | 0.6 | | V |
| I_{QBS} | High-Side Quiescent Supply Current | | | 50 | 130 | μ A |
| I_{PBS} | High-Side Dynamic Operating Supply Current | | | 400 | 800 | μ A |
| Oscillator Characteristics | | | | | | |
| f_{osc1} | Oscillation Frequency 1 | $R_T=50$ k Ω , $C_T=330$ pF | 18 | 20 | 22 | kHz |
| f_{osc2} | Oscillation Frequency 2 | $R_T=1$ k Ω , $C_T=1$ nF | 210 | 250 | 290 | kHz |
| D | Duty Cycle | Running Mode | 47.5 | 49.0 | | % |
| V_{RCT+} | Upper Threshold Voltage of RCT | Running Mode | | V_{DD} | | V |
| V_{RCT-} | Lower Threshold Voltage of RCT | Running Mode | | $V_{DD}/4$ | | V |
| V_{IH} | Logic "1" Input Voltage of RCT | Running Mode | | $3/4 V_{DD}$ | | V |
| V_{IL} | Logic "0" Input Voltage of RCT | Running Mode | | | $3/5 V_{DD}$ | V |
| t_D | Dead-Time | $R_{DT}=100$ k Ω | 500 | 600 | 700 | ns |
| t_{DMIN} | Minimum Dead-Time | $V_{DT/SD}=V_{DD}$ | 300 | 400 | 500 | ns |
| Output Characteristics | | | | | | |
| I_{O+} | Output High, Short-Circuit Pulse Current ⁽³⁾ | $PW \leq 10$ μ s | | 350 | | mA |
| I_{O-} | Output Low, Short-Circuit Pulse Current ⁽³⁾ | $PW \leq 10$ μ s | | 650 | | mA |
| V_S | Allowable Negative V_S Pin voltage for Input Signal (V_{RCT}) Propagation to HO | | | -9.8 | -7.0 | V |

Continued on the following page...

Electrical Characteristics (Continued)

V_{BIAS} (V_{DD} , $V_B - V_S$)=14.0 V, C_L =1 nF, R_T =50 k Ω and C_T =330 pF and T_A =25°C, unless otherwise specified.

| Symbol | Parameter | Conditions | Min. | Typ. | Max. | Unit |
|-----------------------------------|----------------------------|--|------|------|------|---------|
| Output Characteristics | | | | | | |
| t_{ON} | Turn-On Propagation Time | $V_{DD}=V_{BS}=14$ V, $V_{DT/SD}=V_{DD}$, $V_{RCT}=4$ V~ V_{DD} , $f_{OSC}=20$ kHz | | 550 | | ns |
| t_{OFF} | Turn-Off Propagation Time | $V_{DD}=V_{BS}=14$ V, $V_{DT/SD}=V_{DD}$, $V_{RCT}=4$ V~ V_{DD} , $f_{OSC}=20$ kHz | | 160 | | ns |
| t_R | Turn-On Rising Time | $C_L=1000$ pF | | 50 | 120 | ns |
| t_F | Turn-Off Falling Time | $C_L=1000$ pF | | 30 | 70 | ns |
| Protection Characteristics | | | | | | |
| /SD+ | Shutdown "1" Input Voltage | | 2.7 | | | V |
| /SD- | Shutdown "0" Input Voltage | | | | 1 | V |
| I_{SD} | Shutdown Current | $V_{DT/SD}=0$ After Running Mode | | 250 | | μ A |
| t_{SD} | Shutdown Propagation Delay | | | 180 | | ns |

Note:

- These parameters, although guaranteed, is not 100% tested in production.

Switching Definitions

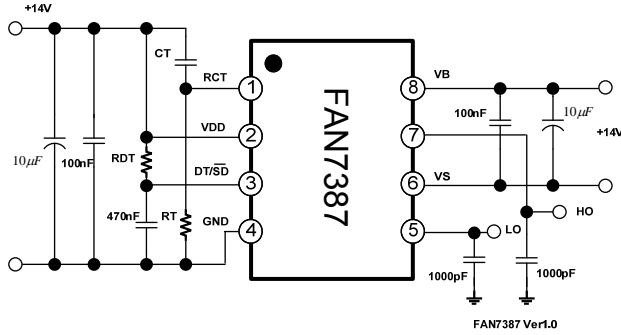


Figure 7. Test Circuit for Self-Oscillation Method

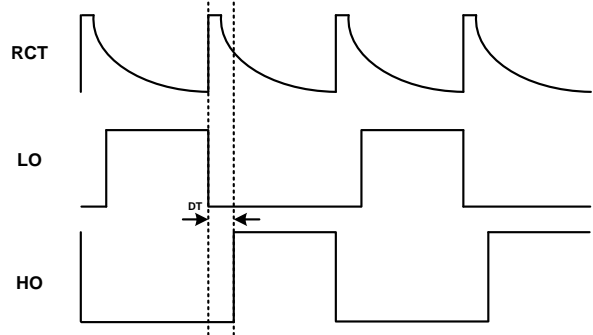


Figure 8. Basic Operating Waveforms of Self-Oscillation

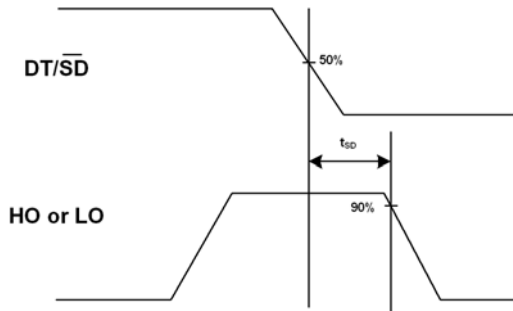


Figure 9. Shutdown Delay Definition

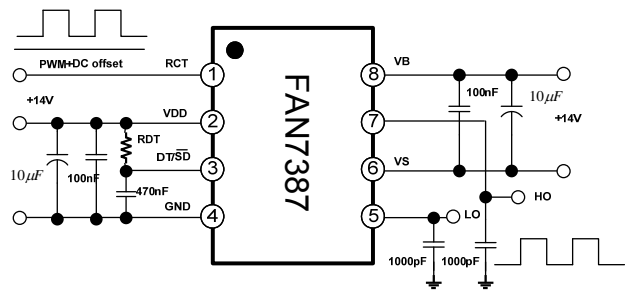


Figure 10. Test Circuit for Forced-Oscillation Method Using External Signal

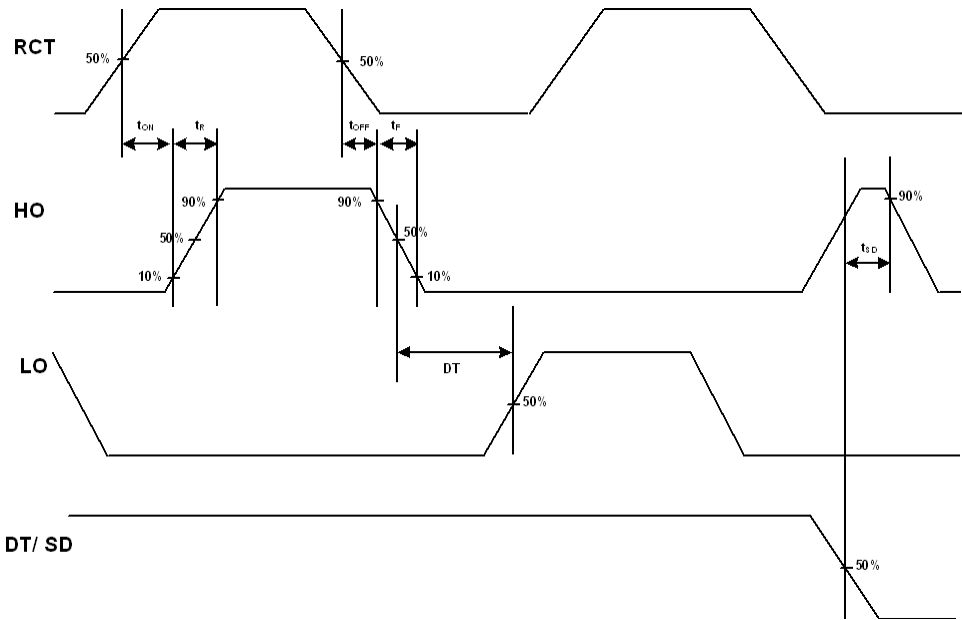


Figure 11. Basic Operation Waveforms of Forced-oscillation Method Using External Signal

Typical Performance Characteristics

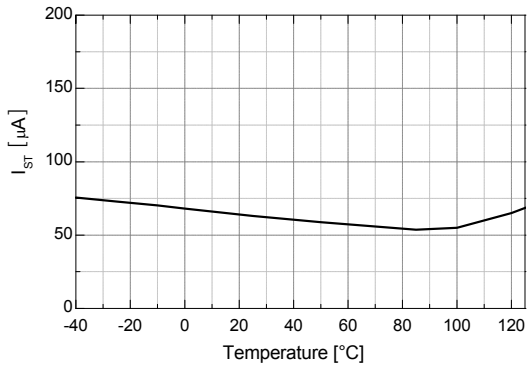


Figure 12. Startup Current vs. Temperature

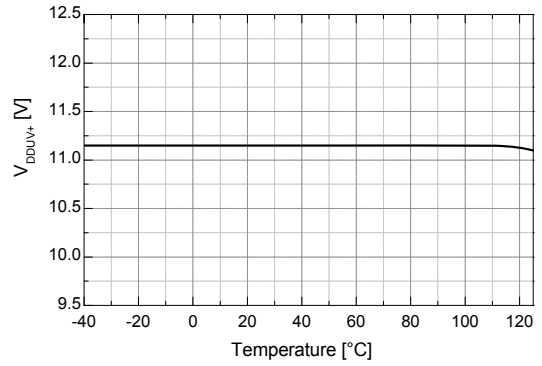


Figure 13. V_{DD} UVLO+ vs. Temperature

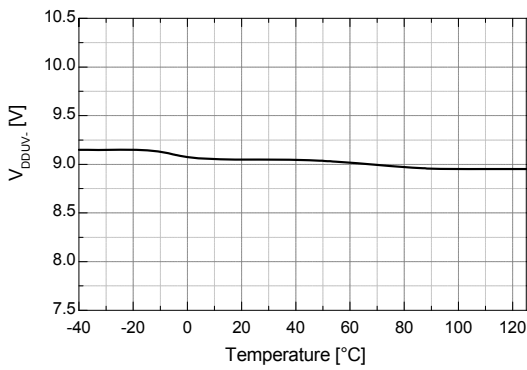


Figure 14. V_{DD} UVLO- vs. Temperature

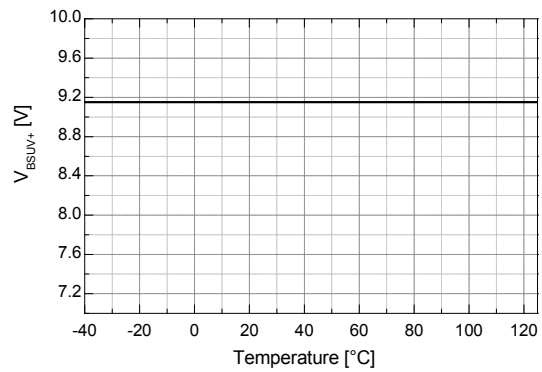


Figure 15. V_{BS} UVLO+ vs. Temperature

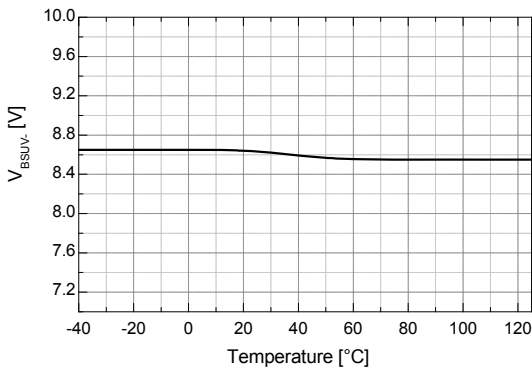


Figure 16. V_{BS} UVLO- vs. Temperature

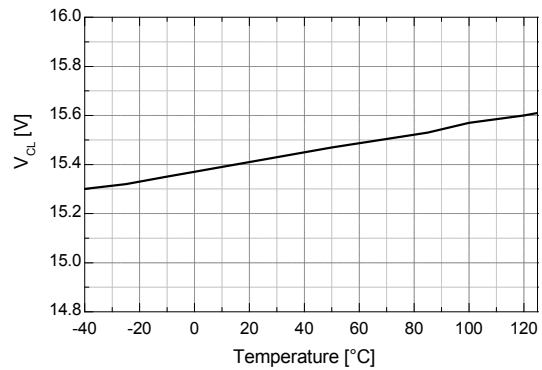


Figure 17. V_{CL} vs. Temperature

Typical Performance Characteristics (Continued)

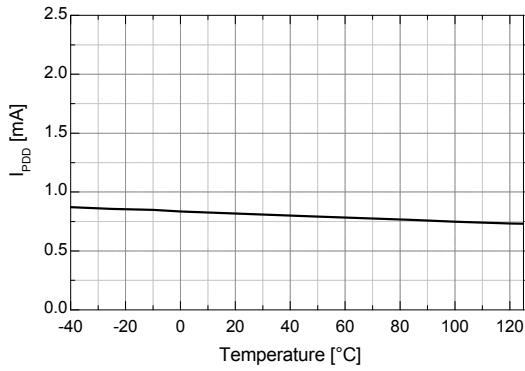


Figure 18. I_{PDD} vs. Temperature

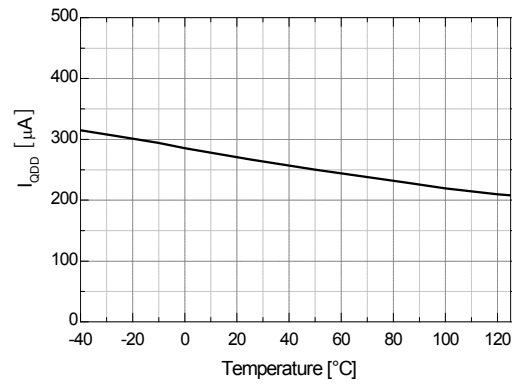


Figure 19. I_{QDD} vs. Temperature

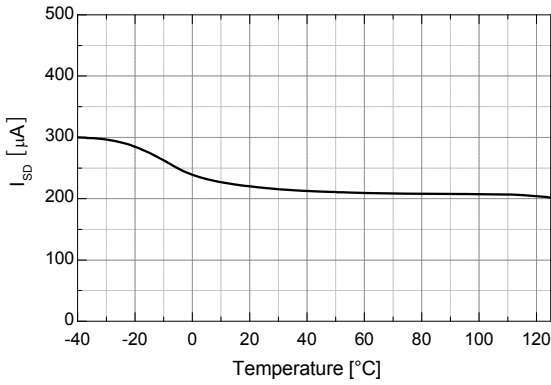


Figure 20. I_{SD} vs. Temperature

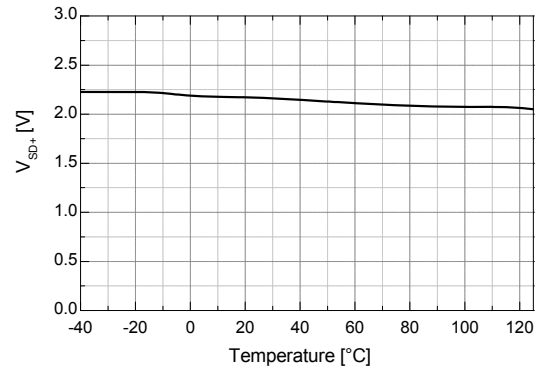


Figure 21. V_{SD+} vs. Temperature

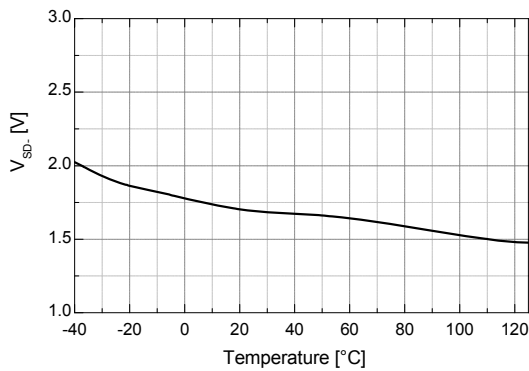


Figure 22. V_{SD-} vs. Temperature

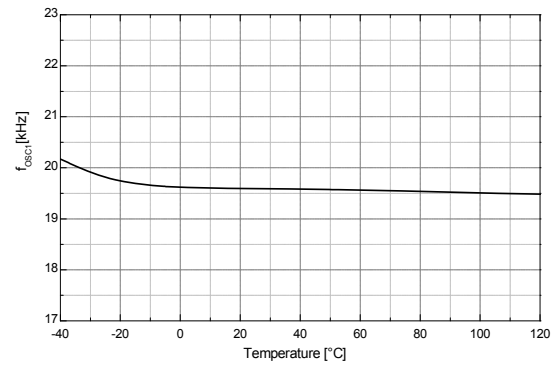


Figure 23. Operating Frequency 1 vs. Temperature

Typical Performance Characteristics (Continued)

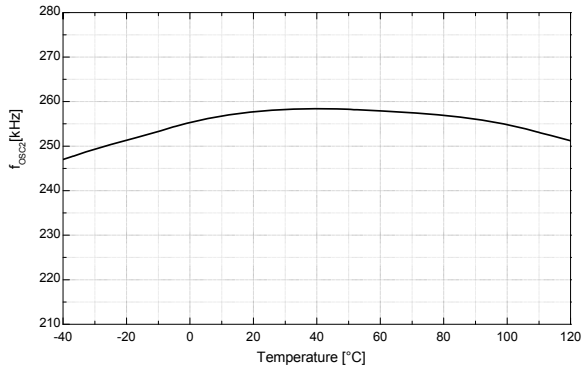


Figure 24. Operating Frequency 2 vs. Temperature

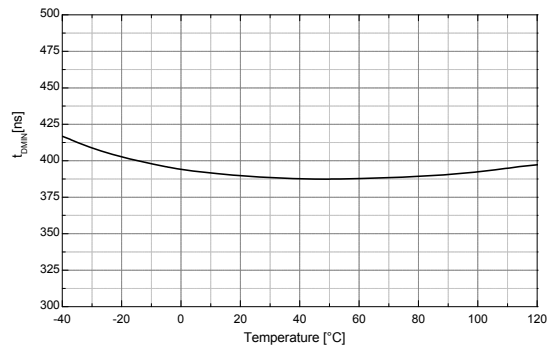


Figure 25. t_{DMIN} vs. Temperature

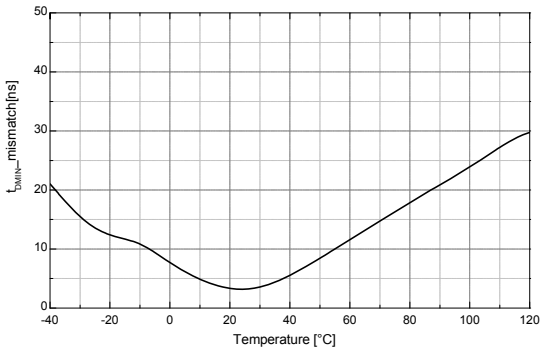


Figure 26. Dead-Time Mismatch vs. Temperature

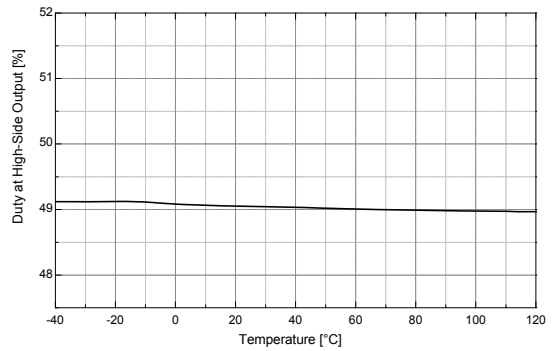


Figure 27. High-Side Duty Ratio vs. Temperature

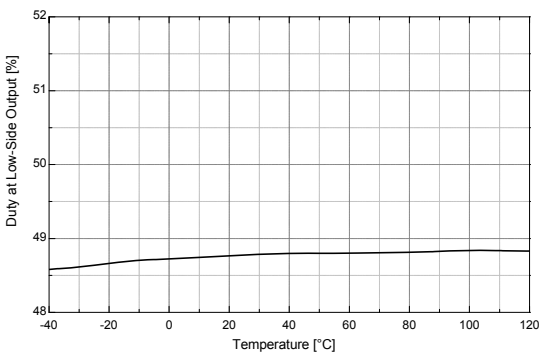


Figure 28. Low-Side Duty Ratio vs. Temperature

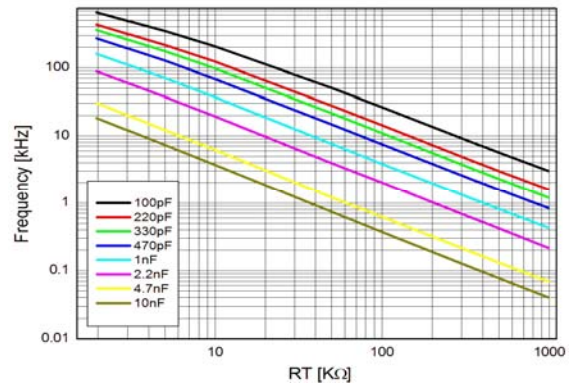


Figure 29. Frequency vs. RT

Functional Description

1. Under-Voltage Lockout (UVLO) Function

FAN7387 has a UVLO circuit for a low-side and high-side block. When V_{DD} reaches to the $V_{DD_{UV+}}$, the UVLO circuit is released and the FAN7387 operates normally. At UVLO condition, the FAN7387 has a low supply current of less than 130 μA . Once UVLO is released, FAN7387 operates normally until V_{DD} goes below $V_{DD_{UV-}}$, the UVLO hysteresis.

FAN7387 also has a high-side gate driver. The supply for the high-side driver is applied between V_B and V_S . To prevent malfunction at low supply voltage between V_B and V_S , FAN7387 provides an additional UVLO circuit. If $V_B - V_S$ is under $V_{BS_{UV+}}$, the driver holds LOW state to turn off the high-side switch. Once the voltage of $V_B - V_S$ is higher than $V_{BS_{UVH}}$, after $V_B - V_S$ exceeds $V_{BS_{UV-}}$, the operation of driver resumes.

2. Oscillator

The running frequency is determined by an external timing resistor (R_T) and timing capacitor (C_T). The charge time of capacitor C_T from $1/4 V_{DD}$ to V_{DD} determines the running frequency of LO and HO gate driver output. Figure 30 shows connection configuration.

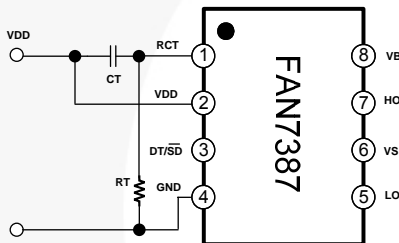


Figure 30. Typical Connection Method

Figure 31 shows the typical waveforms of RCT, LO, and HO. From the circuit analysis, the discharging time of RCT, t , is given by Equation 1:

$$V_{RCT} = V_{DD} \times \ln\left(\frac{-t}{R_t \times C_t}\right) \quad (1)$$

Equation 1 enables calculation of discharging time, t , from V_{DD} to $1/4 V_{DD}$ by substituting $V_{RCT(t)}$ with $1/4 V_{DD}$.

$$t = 1.38 \times R_t \times C_t \quad (2)$$

The running frequency of IC is determined by $1/T$ and is approximately given as:

$$f_{\text{running}} = \frac{1}{T} = \frac{1}{2(t + T_{\text{fix}})} \quad (3)$$

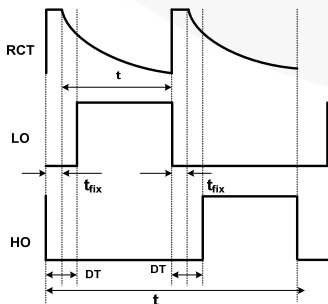


Figure 31. Typical Waveforms of RCT, LO and HO

where, t is the discharging time of the RCT voltage and t_{fix} is constant value about 450 ns of IC.

3. Programming Dead-Time Control / Shutdown

A multi-function pin controls dead-time using an external resistor (R_{DT}) and protects abnormal condition using an external switch. This pin should be connected to an external capacitor to maintain stable operation.

If the voltage of DT/SD is decreased under 1 V by an external switch, such as the TR or MOSFET, the FAN7387 enters shutdown mode. In this mode, the FAN7387 doesn't have any output signal.

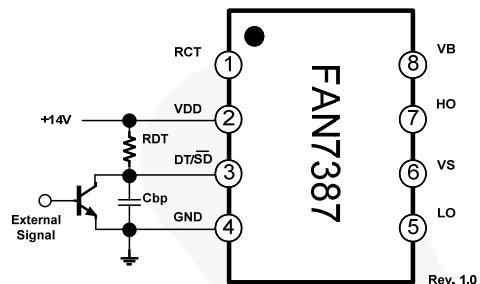


Figure 32. External Shutdown Circuit

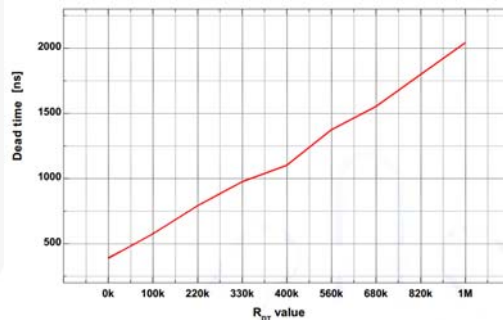


Figure 33. Adjustable Dead Time

4. Gate Driver Operation

The FAN7387 has a two operating modes. One is the self-oscillation mode by using external timing resistor (R_T) and external timing capacitor (C_T) and the other is the forced oscillation mode by external PWM signal comes from U-com and the other devices.

Figure 33 shows operation of the IC using an external PWM circuit with additional resistors (R_1 and R_2) for internal limitation of the IC. The input signal range from an external circuit must be within $3/5 V_{DD}$ and $3/4 V_{DD}$. The external signal produces the HO and LO output and HO signal is in-phase with the external input signal.

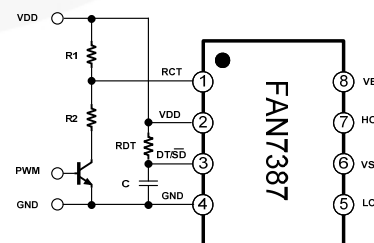


Figure 34. Gate Driver Using External PWM Signal

Physical Dimensions

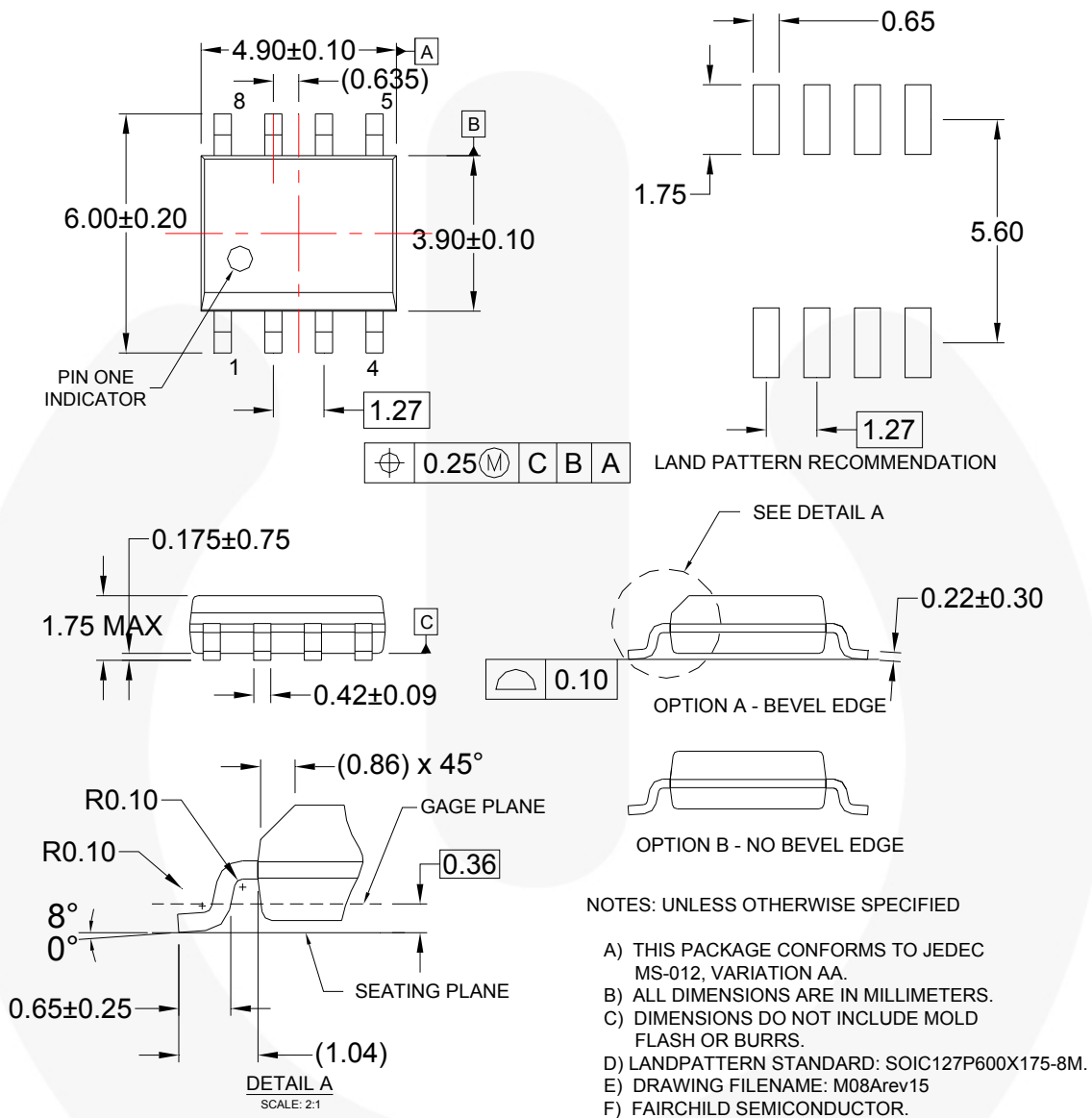


Figure 35. 8-Lead Small Outline Package (SOP)

Package drawings are provided as a service to customers considering Fairchild components. Drawings may change in any manner without notice. Please note the revision and/or date on the drawing and contact a Fairchild Semiconductor representative to verify or obtain the most recent revision. Package specifications do not expand the terms of Fairchild's worldwide terms and conditions, specifically the warranty therein, which covers Fairchild products.

Always visit Fairchild Semiconductor's online packaging area for the most recent package drawings:
<http://www.fairchildsemi.com/dwg/M0/M08A.pdf>





TRADEMARKS

The following includes registered and unregistered trademarks and service marks, owned by Fairchild Semiconductor and/or its global subsidiaries, and is not intended to be an exhaustive list of all such trademarks.

AccuPower™
 AX-CAP®
 BitSIC™
 Build it Now™
 CorePLUS™
 CorePOWER™
 CROSSVOLT™
 CTL™
 Current Transfer Logic™
 DEUXPEED®
 Dual Cool™
 EcoSPARK®
 EfficientMax™
 ESBC™

 Fairchild®
 Fairchild Semiconductor®
 FACT Quiet Series™
 FACT®
 FAST®
 FastvCore™
 FETBench™
 FPS™

F-PFS™
 FRFET®
 Global Power Resource™
 GreenBridge™
 Green FPS™
 Green FPS™ e-Series™
 Gmax™
 GTO™
 IntelliMAX™
 ISOPLANAR™
 Making Small Speakers Sound Louder and Better™
 MegaBuck™
 MICROCOUPLER™
 MicroFET™
 MicroPak™
 MicroPak2™
 MillerDrive™
 MotionMax™
 mWSaver®
 OptoHi™
 OPTOLOGIC®
 OPTOPLANAR®


 PowerTrench®
 PowerXS™
 Programmable Active Droop™
 QFET®
 QST™
 Quiet Series™
 RapidConfigure™

 Saving our world, 1mW/W/KW at a time™
 SignalWise™
 SmartMax™
 SMART START™
 Solutions for Your Success™
 SPM®
 STEALTH™
 SuperFET®
 SuperSOT™-3
 SuperSOT™-6
 SuperSOT™-8
 SupreMOS®
 SyncFET™
 Sync-Lock™

 SYSTEM GENERAL®
 TinyBoost®
 TinyBuck®
 TinyCalc™
 TinyLogic®
 TINYOPTO™
 TinyPower™
 TinyPWM™
 TinyWire™
 TranSIC™
 TriFault Detect™
 TRUECURRENT®
 μSerDes™

 UHC®
 Ultra FRFET™
 UniFET™
 VCX™
 VisualMax™
 VoltagePlus™
 XS™
 仙童™

* Trademarks of System General Corporation, used under license by Fairchild Semiconductor.

DISCLAIMER

FAIRCHILD SEMICONDUCTOR RESERVES THE RIGHT TO MAKE CHANGES WITHOUT FURTHER NOTICE TO ANY PRODUCTS HEREIN TO IMPROVE RELIABILITY, FUNCTION, OR DESIGN. FAIRCHILD DOES NOT ASSUME ANY LIABILITY ARISING OUT OF THE APPLICATION OR USE OF ANY PRODUCT OR CIRCUIT DESCRIBED HEREIN; NEITHER DOES IT CONVEY ANY LICENSE UNDER ITS PATENT RIGHTS, NOR THE RIGHTS OF OTHERS. THESE SPECIFICATIONS DO NOT EXPAND THE TERMS OF FAIRCHILD'S WORLDWIDE TERMS AND CONDITIONS, SPECIFICALLY THE WARRANTY THEREIN, WHICH COVERS THESE PRODUCTS.

LIFE SUPPORT POLICY

FAIRCHILD'S PRODUCTS ARE NOT AUTHORIZED FOR USE AS CRITICAL COMPONENTS IN LIFE SUPPORT DEVICES OR SYSTEMS WITHOUT THE EXPRESS WRITTEN APPROVAL OF FAIRCHILD SEMICONDUCTOR CORPORATION.

As used herein:

1. Life support devices or systems are devices or systems which, (a) are intended for surgical implant into the body or (b) support or sustain life, and (c) whose failure to perform when properly used in accordance with instructions for use provided in the labeling, can be reasonably expected to result in a significant injury of the user.
2. A critical component in any component of a life support, device, or system whose failure to perform can be reasonably expected to cause the failure of the life support device or system, or to affect its safety or effectiveness.

ANTI-COUNTERFEITING POLICY

Fairchild Semiconductor Corporation's Anti-Counterfeiting Policy. Fairchild's Anti-Counterfeiting Policy is also stated on our external website, www.fairchildsemi.com, under Sales Support.

Counterfeiting of semiconductor parts is a growing problem in the industry. All manufacturers of semiconductor products are experiencing counterfeiting of their parts. Customers who inadvertently purchase counterfeit parts experience many problems such as loss of brand reputation, substandard performance, failed applications, and increased cost of production and manufacturing delays. Fairchild is taking strong measures to protect ourselves and our customers from the proliferation of counterfeit parts. Fairchild strongly encourages customers to purchase Fairchild parts either directly from Fairchild or from Authorized Fairchild Distributors who are listed by country on our web page cited above. Products customers buy either from Fairchild directly or from Authorized Fairchild Distributors are genuine parts, have full traceability, meet Fairchild's quality standards for handling and storage and provide access to Fairchild's full range of up-to-date technical and product information. Fairchild and our Authorized Distributors will stand behind all warranties and will appropriately address any warranty issues that may arise. Fairchild will not provide any warranty coverage or other assistance for parts bought from Unauthorized Sources. Fairchild is committed to combat this global problem and encourage our customers to do their part in stopping this practice by buying direct or from authorized distributors.

PRODUCT STATUS DEFINITIONS

Definition of Terms

| Datasheet Identification | Product Status | Definition |
|--------------------------|-----------------------|---|
| Advance Information | Formative / In Design | Datasheet contains the design specifications for product development. Specifications may change in any manner without notice. |
| Preliminary | First Production | Datasheet contains preliminary data; supplementary data will be published at a later date. Fairchild Semiconductor reserves the right to make changes at any time without notice to improve design. |
| No Identification Needed | Full Production | Datasheet contains final specifications. Fairchild Semiconductor reserves the right to make changes at any time without notice to improve the design. |
| Obsolete | Not In Production | Datasheet contains specifications on a product that is discontinued by Fairchild Semiconductor. The datasheet is for reference information only. |

Rev. I68