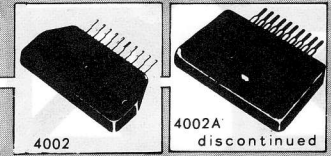


Case outline 4002
STK-011,
 4002 4002, 4002A
015, 016

thick film hybrid IC

6.5 to 15Wmin
 AF POWER AMP.



These are scheduled to be discontinued in the near future.

Features

- ©IMST, 1 Channel by 1 Power Supply.
- AF output power of STK-015: 10W min.
- AF output power of STK-011: 6.5W min.
- AF output power of STK-016: 15W min.

MAXIMUM RATINGS / Ta=25°C

		STK-011	STK-015	STK-016	unit
Maximum Supply Voltage	V _{CC} max (pin 3 to 1)	38	48	54	V
Operating Case Temperature	T _C	→	90	85	°C
Storage Temperature	T _{stg}	→	-30 to +100	←	°C
Allowable Load Shorting Time	t _s recommended operation condition, rated output power, f=50Hz	→	2	←	sec

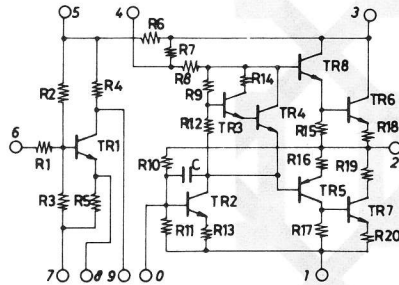
RECOMMENDED OPERATION CONDITION / Ta=25°C

		STK-011	STK-015	STK-016	unit
Recommended Supply Voltage	V _{CC}	25	32	38	V
Load Resistance	R _L	8	8	8	ohm

OPERATION CHARACTERISTICS / Ta=25°C, in recommended condition, R_g=600ohm, f=1kHz

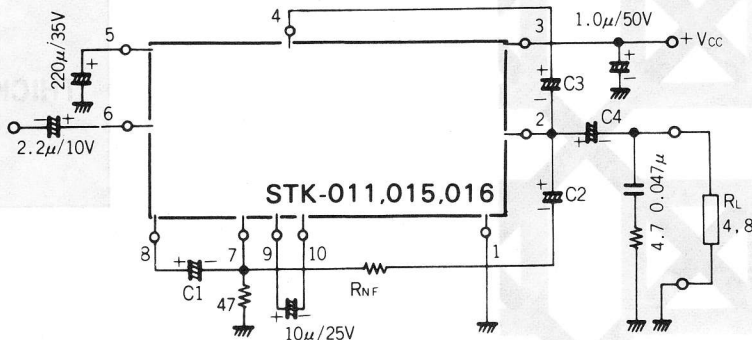
		STK-011	STK-015	STK-016	unit
Quiescent Current	I _{CCO}	→	50	←	mAmax
Output Power	P _o THD=2.0%	6.5	—	—	Wmin
	THD=1.0%	—	10	15	Wmin
Voltage Gain	V _G P _o =0.1W	35	33	33	dB
Distortion	THD P _o =0.1W	1.0	0.5	0.3	%max
Input Resistance	r _i P _o =0.1W	→	40k	←	ohm
Output Resistance	r _o P _o =0.1W	→	0.2	←	ohm
Power Bandwidth	PBW THD=2%, -3dB	30 to 30k	—	—	Hz
	THD=1%, -3dB	—	30 to 30 k	←	Hz

EQUIVALENT CIRCUIT



www.audiolabga.com

APPLICATION: AF Power Amp.



	STK-011	STK-015	STK-016
C1	47μ/6.3V	47μ/6.3V	47μ/25V
C2	22μ/25V	22μ/35V	22μ/35V
C3	22μ/25V	47μ/25V	47μ/25V
C4	1000μ/25V	1000μ/35V	2200μ/35V
RNF	3k	2.2k	2.2k

See the operation characteristics on this specification.