



**APPLICATION**

This line Output Power Transformer series has been developed to provide the required scanning amplitude and EHT for the full range of 110° 4:3 and 16:9 Colour Picture Tubes and to mains insulate the CTV circuit.

It operates at line frequencies of 15.6KHz (standard) or 31.2KHz (HDTV).

The external connections are made by 9 Pins which are directly solderable to the PCB.

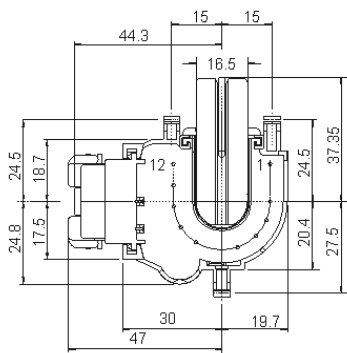
The pins 1 to 6 are for the mains connected side while the pins 8 to 12 are for the output voltages mains insulated. The overwind ground must be connected to Pin 10.

The magnetic core may be connected to ground by means of a special spring.

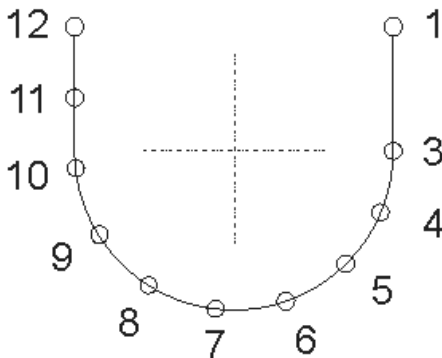
The double focus potentiometer (DAF) is internally grounded. Available with integrated bleeder resistor.

The construction meets the requirements for reinforced insulation according to EN 60065 Standard.

**MECHANICAL DIMENSIONS (mm)**



**FOOTPRINT (copper side)**



**PACKAGING (single box)**



WxLxH (mm) 88x74x156

**SCHEMATIC DIAGRAM**

